

NOTES:

1. MATERIAL:

HSG: PCT, 30% GLASS FILLED,UL 94V-0, COLOUR BLACK.

PIN: 0.50MM SQ PHOSPHOR BRONZE 510

2. PLATING:

***6 - 0.38um MIN GOLD IN CONTACT AREA, 1.90um MIN TIN IN SOLDERTAIL AREA, BOTH OVER 1.27um MIN NICKEL OVERALL

***7 - 0.76um MIN GOLD IN CONTACT AREA, 1.90um MIN TIN IN SOLDERTAIL AREA, BOTH OVER 1.27um MIN NICKEL OVERALL

***8 - 2.54um MIN TIN OVER 1.27um MIN NICKEL OVERALL

3. 12 CKT USED FOR ILLUSTRATION ONLY

4. PART TO BE PACKED IN POCKET TRAY.

5. PRODUCT SPEC PS-87761-100 APPLIES.

6. RECOMMENDED PCB BOARD THK 1.60±0.10 MM.

7. MATING LENGTH: 1 - 4.00MM
2 - 3.50MM
3 - 3.06MM

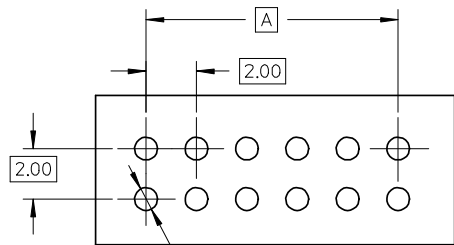
LEGEND:

87760 - * * * *

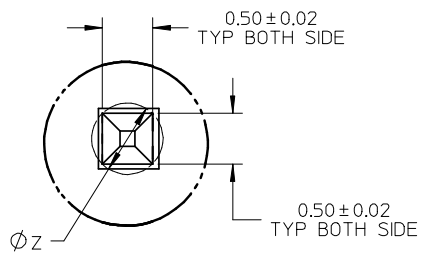
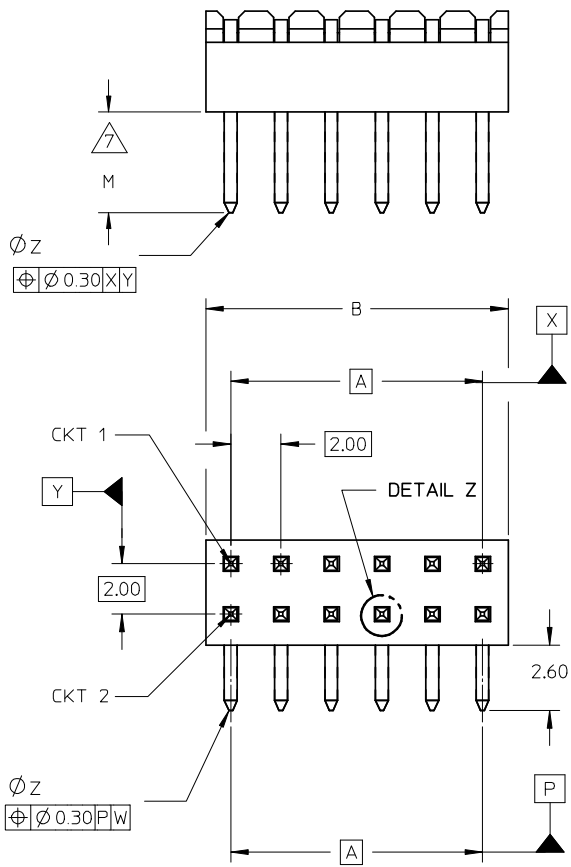
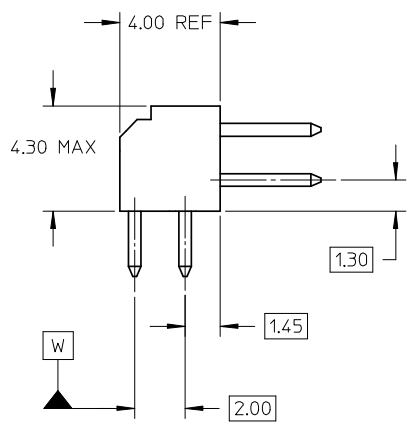
CKT SIZE (SEE SHT 3)

PLATING OPTION (SEE NOTE 2)

MATING OPTION



RECOMMENDED PCB LAYOUT



DETAIL Z

REVISED EC NO: S2008-0560 DRWN:SKANG CHKD:ATSEE APPR:MLONG	2008/02/28 2008/02/29 2008/02/29	QUALITY SYMBOLS ▽=0 ∇=0	GENERAL TOLERANCES (UNLESS SPECIFIED)		DIMENSION STYLE MM ONLY	SCALE NTS	DESIGN UNITS METRIC	THIRD ANGLE PROJECTION		
			mm	INCH	DRAWN BY KSEE	DATE 2003/10/15	TITLE MGRID, 2MM DUAL ROW HDR. R/A			
A10	REV	DESCRIPTION	4 PLACES	± ---	± ---	CHECKED BY KCL ING	DATE 2003/12/02	MATERIAL NO. SD-87760-109		
			3 PLACES	± ---	± ---	APPROVED BY SKTOH	DATE 2003/12/11			
			2 PLACES	± 0.2	± ---	DRAFT WHERE APPLICABLE MUST REMAIN WITHIN DIMENSIONS				
			1 PLACE	± ---	± ---					THIS DRAWING CONTAINS INFORMATION THAT IS PROPRIETARY TO MOLEX INCORPORATED AND SHOULD NOT BE USED WITHOUT WRITTEN PERMISSION

	10	9	8	7	6	5	4	3	2	1
	PART NUMBER	VOID PIN LOCATION	CKT SIZE	A	B	M				
F	87760-04**	-	04	2.00	4.00	REFER TO NOTE 7.				
	87760-06**	-	06	4.00	6.00					
	87760-08**	-	08	6.00	8.00					
	87760-10**	-	10	8.00	10.00					
	87760-12**	-	12	10.00	12.00					
	87760-14**	-	14	12.00	14.00					
E	87760-16**	-	16	14.00	16.00					
	87760-18**	-	18	16.00	18.00					
	87760-20**	-	20	18.00	20.00					
	87760-22**	-	22	20.00	22.00					
	87760-24**	-	24	22.00	24.00					
	87760-26**	-	26	24.00	26.00					
D	87760-28**	-	28	26.00	28.00					
	87760-30**	-	30	28.00	30.00					
	87760-32**	-	32	30.00	32.00					
	87760-34**	-	34	32.00	34.00					
	87760-36**	-	36	34.00	36.00					
	87760-38**	-	38	36.00	38.00					
C	87760-40**	-	40	38.00	40.00					
	87760-42**	-	42	40.00	42.00					
	87760-44**	-	44	42.00	44.00					
	87760-46**	-	46	44.00	46.00					
	87760-48**	-	48	46.00	48.00					
	87760-50**	-	50	48.00	50.00					
B	87760-5116	5, 6 & 26	50	48.00	50.00					

REVISED EC NO: S2008-0560 DRWN:SKANG CHKD:ATSEE APPR:MLONG	2008/07/28 2008/07/29 2008/07/29	DESCRIPTION REV	QUALITY SYMBOLS	GENERAL TOLERANCES (UNLESS SPECIFIED)	DIMENSION STYLE	SCALE	DESIGN UNITS	THIRD ANGLE PROJECTION			
			= 0 = 0	mm INCH	MM ONLY	NTS	METRIC	DRAWN BY DATE		TITLE	
				4 PLACES ± --- ± ---	KSEE	2003/10/15	MGRID, 2MM DUAL ROW HDR. R/A				
				3 PLACES ± --- ± ---	CHECKED BY DATE	KCL ING 2003/12/02					
				2 PLACES ± 0.2 ± ---	APPROVED BY DATE	SKTOH 2003/12/11					
	1 PLACE ± --- ± ---	MATERIAL NO.	ANGULAR ± 3 °		SEE TABLE		MOLEX INCORPORATED		SHEET NO.		
DRAFT WHERE APPLICABLE MUST REMAIN WITHIN DIMENSIONS			SIZE		THIS DRAWING CONTAINS INFORMATION THAT IS PROPRIETARY TO MOLEX INCORPORATED AND SHOULD NOT BE USED WITHOUT WRITTEN PERMISSION		DOCUMENT NO.		2 OF 2		